



# **X-Slim 2.4GHz Cordless USB Keyboard and Optical Mouse Kit**

Using 2.4GHz Frequency Hopping Spread Spectrum (FHSS) Technology It provides frequency hopping, long range and anti-interference for cordless operation.

Manual

**Quick Installation Guide**

**RF-6570**

### Welcome

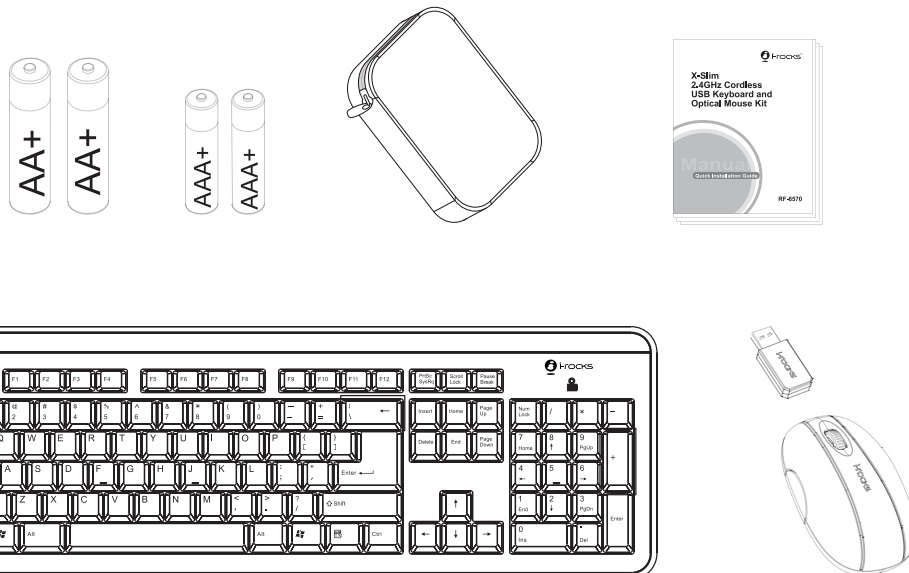
Congratulations on your purchase of an i-rocks™ RF-6570 cordless keyboard and optical mouse combo. The i-rocks™ RF-6570 wireless keyboard and optical mouse combo uses the latest 2.4GHz Frequency Hopping Spread Spectrum (FHSS) ISM RF technology to provide you with extended range and flawless communication between the keyboard, mouse, and your computer. Four automatically selected channels eliminate any possible interference when this keyboard and mouse combo is used around other RF devices.

The 2.4GHz ISM RF Digital Radio technology allows the RF-6570 to stay connected to the devices in up to a 15M radius. The 2.4GHz wireless communication link operates in the 2400 - 2483 MHz frequency band available unlicensed world wide for Industrial, Scientific and Medical (ISM) applications. For users that demand the highest performance, quality, and convenience, the RF-6570 keyboard and mouse combo is a perfect choice.

## USB Keyboard and Optical Mouse Kit 2

### Package Contents

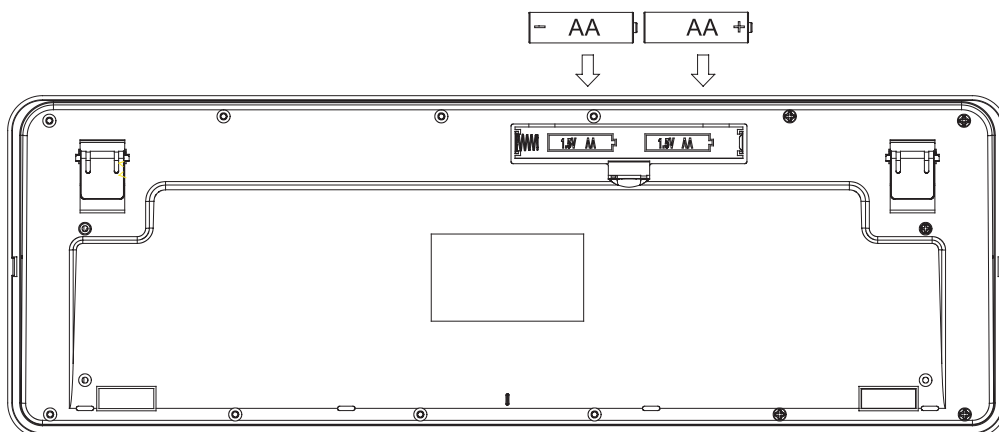
- Package Contents
- Wireless keyboard X 1
- Wireless optical mouse X 1
- USB Dongle Receiver X 1  
(Stored in mouse body)
- AAA size alkaline batteries X 2
- AA size alkaline batteries X 2
- Travel pouch X 1
- Quick installation guide X 1



### Hardware Installation

1. Connect the USB mini receiver to your computer by plugging in the receiver connector into your PC USB port.
2. **Set up the Keyboard**  
(Put provided batteries into keyboard's batteries housing)  
Take the keyboard and make sure the 2 x AA alkaline batteries on the back are installed correctly, replace battery door.

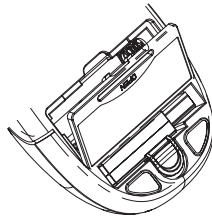
(Follow the polarity signs in the battery compartment.)



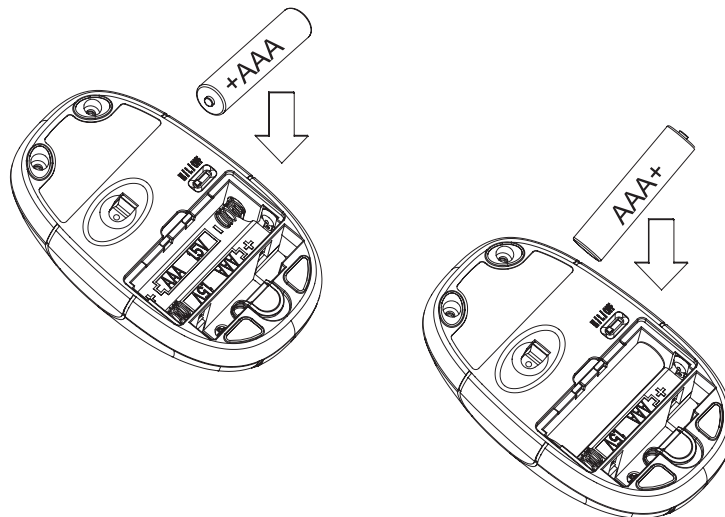
### 3. Set up the Mouse

(Put provided batteries into mouse's batteries housing.)

- Open the battery housing cover under the cordless mouse's bottom side.

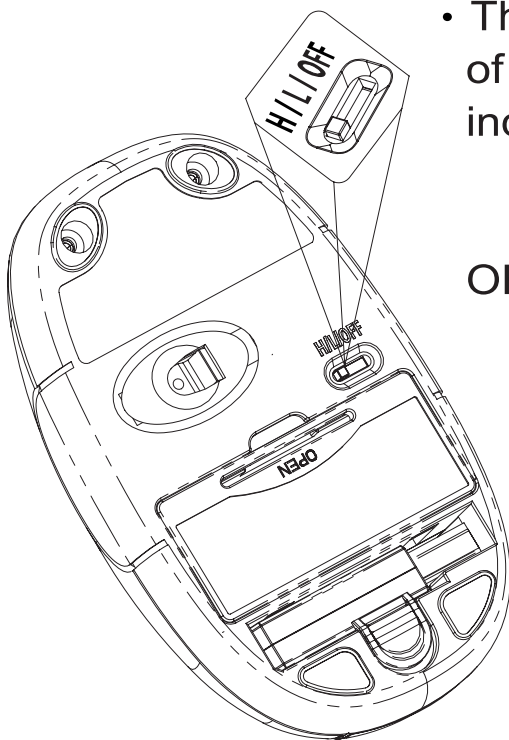


- Install the provided batteries into the battery housing.  
(Please follow the polarity signs in the battery housing.)



## USB Keyboard and Optical Mouse Kit 5

- Close the mouse battery housing cover.
- Turn on the resolution switch to H or L position to see the sensor light up or not; If the light not work, please re-check the installed batteries are collect or not.

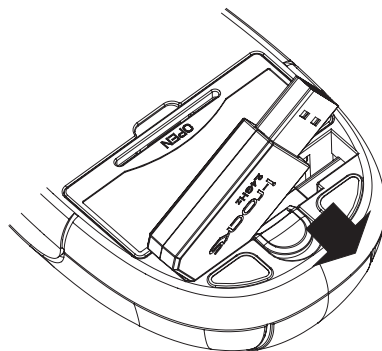


- The H/L/OFF positions of resolution switch indicate:
  - H: 1000dpi
  - L: 500dpi
  - OFF: Power Off

### ID Setting

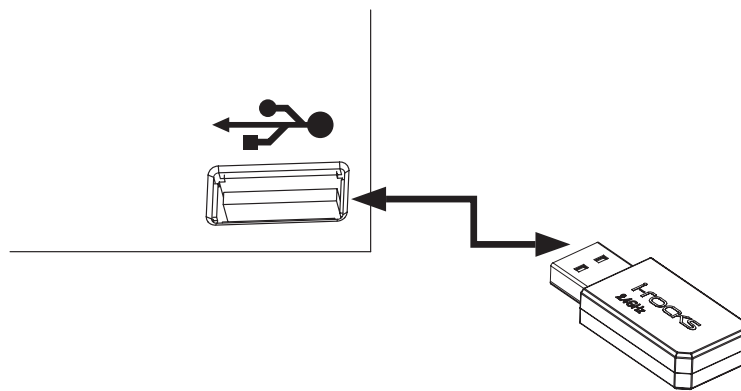
Each cordless mouse and keyboard has to get an ID from a specific receiver before start working, it also called ID Setting. The ID-Setting helps to protect against interference from other cordless mouse in the same environment. Please follow below steps to complete the necessary ID-Setting process for your cordless mouse and USB dongle receiver.

1. Make sure the mouse hardware installation is completed.
2. Take out the USB dongle receiver from your cordless mouse backside.  
(To remove receiver pressing eject button and slide backwardly.)



## USB Keyboard and Optical Mouse Kit 7

3. Turn your cordless mouse on. The red sensor display light representative power on can work.  
(When not in use, turn mouse off to save batteries.)
4. Turn your cordless mouse on.
5. Plug the USB dongle receiver into your computer's USB port.



6. Waiting for the USB plug and play initialization completed, and the dongle receiver LED will light flush.



## USB Keyboard and Optical Mouse Kit ⑧

7. Move your cordless mouse and close to the USB dongle receiver within 30cm, then click the mouse left button to start ID setting process, and press keyboard "ESC" key of the keyboard to make sure the ID connection.  
(It will take about 4~8 seconds waiting time)
8. Once the ID setting process is completed, the receiver LED will light off. The receiver LED will light on again when cordless mouse is working.
9. If the mouse or keyboard doesn't work properly, please remove the USB dongle receiver from computer's USB port, then repeat do step 4 to step 7 again.

Enjoy using your keyboard and mouse.

### Troubleshooting

What do I do if the cordless mouse or keyboard does not work?

- Check the USB dongle receiver is connected to your computer's USB port.
- Make sure the batteries are correctly installed into your cordless mouse and keyboard. (The positive (+) and negative (-) ends of each battery must match the polarity signs in the battery housing)
- Make sure the batteries power qualities are good for use.
- Make sure the ID Setting process is well completed.
- Please change batteries immediately when the wireless mouse scroll wheel glow red or the cursor on screen does not move or move erratically.

## USB Keyboard and Optical Mouse Kit 10

- Please change batteries immediately when the cordless keyboard battery low indicator light up.
- Warning: Please remove batteries from your cordless mouse when not using for a long period of time.

### System Requirements

To use the cordless mouse, your computer must meet the following hardware requirements and run one of the operation system listed below.

- One USB port
- Microsoft<sup>®</sup> Windows<sup>®</sup> 98SE, ME, 2000, XP, or above
- Macintosh<sup>®</sup> OS X 10.1 or later

All product names are trademarks or registered trademarks of their respective owners. Microsoft<sup>®</sup>, Windows<sup>®</sup> and Windows<sup>®</sup> logo are trademarks or registered trademarks of Microsoft<sup>®</sup> Corporation in the United States and /or other countries.

## Federal Communication Commission Interference Statement

This equipment has been tested and found to comply with the limits for a Class B digital device, pursuant to Part 15 of the FCC Rules. These limits are designed to provide reasonable protection against harmful interference in a residential installation. This equipment generates, uses and can radiate radio frequency energy and, if not installed and used in accordance with the instructions, may cause harmful interference to radio communications. However, there is no guarantee that interference will not occur in a particular installation. If this equipment does cause harmful interference to radio or television reception, which can be determined by turning the equipment off and on, the user is encouraged to try to correct the interference by one of the following measures:

- ⊙ Reorient or relocate the receiving antenna.
- ⊙ Increase the separation between the equipment and receiver.
- ⊙ Connect the equipment into an outlet on a circuit different from that to which the receiver is connected.
- ⊙ Consult the dealer or an experienced radio/TV technician for help.

FCC Caution: To assure continued compliance, (example – use only shielded interface cables when connecting to computer or peripheral devices). Any changes or modifications not expressly approved by the party responsible for compliance could void the user's authority to operate this equipment.

## FCC Radiation Exposure Statement

This equipment complies with FCC radiation exposure limits set forth for an uncontrolled environment. This equipment should be installed and operated with minimum distance 20 cm between the radiator & your body.

This device complies with Part 15 of the FCC Rules. Operation is subject to the following two conditions: (1) This device may not cause harmful interference, and (2) this device must accept any interference received, including interference that may cause undesired operation.